



The term “Stepless” refers to the absence of steps or gaps on the inner circumference of the clamp. The stepless design provides uniform compression and a 360° seal.

Standard series Stepless Ear Clamps are especially well suited to applications involving both flexible and inflexible thin-walled hoses.

The higher retained loads of the Stepless Heavy Duty Series Clamps are ideal for difficult to seal applications such as moulded plastics or other less malleable materials, commonly used in the automotive industry.

PEX series Stepless Ear Clamps are only well suited to PEX tubing.

Material

- 304 Stainless Steel
- Alternate materials optional

Standard Series

Size Range	Width x Thickness
6.5 - 11.8mm	5.0 x 0.5mm
11.9-120.5mm	7.0 x 0.6mm
21.0-120.5mm	9.0 x 0.6 mm
21.0-120.5mm	9.0 x 0.8 mm
21.0-120.5mm	10 x 1.0mm

Heavy Duty Series

Size Range	Width x Thickness
62.0 - 120.5 mm	10.0 x 1.0mm

PEX Series(Standard ASTM F2098-2001)

Size Range	Width x Thickness
13.3mm	7.0 x 0.6mm
17.5mm	7.0 x 0.8mm
23.3mm	9.0 x 0.8mm
29.6mm	10.0 x 1.0mm

Features

- 360° Stepless Design -no steps or gaps on inner circumference
- Narrow band, concentrated seal compression
- Specially formed strip edges reduce the risk of damage to the part being clamped
- Lightweight design
- Tampering is visible

Installation Tools

Pincers for manual closure

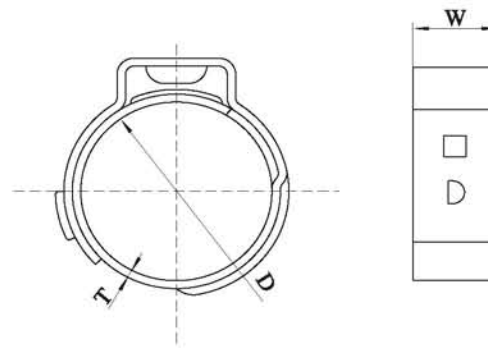


Dongbo recommends pneumatic pincers to ensure repeatable assembly and uniform closure, particularly for mass production applications.



Application Area

Water Supply Plant, Sewage Treatment Plant, Municipal Engineering, Oils/ Chemicals, Electric Power, Textile Printing, Fine Chemicals, Beverage, Construction, Sea Water Desalinization, Hospital, Vessel, Automotive, Truck and so on.



Features

- Narrow band: concentrates transmission of clamping force, less weight
- Stepless over 360°: uniform compression or uniform surface pressure
- Clamp ear: compensates for component tolerance, adjustable surface pressure
- Dimple: increases clamping force, spring-effect compensates for changes in diameter due to thermal expansion
- Specially formed strip edges: reduced risk of damage to parts being clamped

Material

- 304 Stainless Steel

Band Dimension(W x T): 5 x 0.5mm 7x 0.6mm 7x 0.8mm 9x 0.6mm 9x 0.8mm 10x 1.0mm

Corresponding Range(mm): 6.5-11.8 11.9-120.5 17.5-120.5 23.3-120.5 23.3-120.5 23.3-120.5

Item	D		Range (Closed-Open)		Closing Force	Carton Quantity
	mm	inch	mm	inch	N	pcs
6.5	6.5	.256	5.3-6.5	.209-.256	1000	20,000
7.0	7.0	.276	5.8-7.0	.228-.276	1000	20,000
7.5	7.5	.295	6.3-7.5	.248-.295	1000	20,000
8.0	8.0	.315	6.8-8.0	.268-.315	1000	20,000
8.7	8.7	.343	7.0-8.7	.276-.343	1000	20,000
9.0	9.0	.354	7.3-9.0	.287-.354	1000	20,000
9.5	9.5	.374	7.8-9.5	.307-.374	1000	20,000
10.0	10.0	.394	8.3-10.0	.327-.394	1000	10,000
10.5	10.5	.413	8.8-10.5	.346-.413	1000	10,000
10.9	10.9	.429	9.2-10.9	.362-.429	1000	10,000
11.3	11.3	.445	9.6-11.3	.378-.445	1000	10,000
11.8	11.8	.465	10.1-11.8	.398-.465	1000	10,000



Stepless Ear Clamps



11.9	11.9	.469	9.4-11.9	.370-.469	2100	5000
12.3	12.3	.484	9.8-12.3	.386-.484	2100	5000
12.8	12.8	.504	10.3-12.8	.406-.504	2100	5000
13.3	13.3	.524	10.8-13.3	.425-.524	2100	5000
13.8	13.8	.543	11.3-13.8	.445-.543	2100	5000
14.0	14.0	.551	11.5-14.0	.453-.551	2100	5000
14.2	14.2	.559	11.7-14.2	.461-.559	2100	5000
14.5	14.5	.571	12.0-14.5	.472-.571	2100	5000
14.8	14.8	.583	12.3-14.8	.484-.583	2100	5000
15.3	15.3	.602	12.8-15.3	.504-.602	2100	5000
15.7	15.7	.618	13.2-15.7	.520-.618	2100	5000
16.0	16.0	.630	13.5-16.0	.531-.630	2100	5000
16.2	16.2	.638	13.7-16.2	.539-.638	2100	5000
16.6	16.6	.654	14.1-16.6	.555-.654	2100	5000
16.8	16.8	.661	14.3-16.8	.563-.661	2100	5000
17.0	17.0	.669	14.5-17.0	.571-.669	2100	5000
17.5	17.5	.689	15.0-17.5	.591-.689	2100	5000
17.8	17.8	.701	14.6-17.8	.575-.701	2100	5000
18.0	18.0	.709	14.8-18.0	.583-.709	2400	5000
18.5	18.5	.728	15.3-18.5	.602-.728	2400	5000
19.2	19.2	.756	16.0-19.2	.630-.756	2400	5000
19.8	19.8	.780	16.6-19.8	.654-.780	2400	5000
21.0	21.0	.827	17.8-21.0	.701-.827	2400	5000
22.6	22.6	.890	19.4-22.6	.764-.890	2400	5000
23.5	23.5	.925	20.3-23.5	.799-.925	2400	5000
24.1	24.1	.949	20.9-24.1	.823-.949	2400	5000
25.6	25.6	1.008	22.4-25.6	.882-1.008	2400	5000
27.1	27.1	1.067	23.9-27.1	.941-1.067	2400	5000
28.6	28.6	1.126	25.4-28.6	1.000-1.126	2400	5000
30.1	30.1	1.185	26.9-30.1	1.059-1.185	2400	5000
30.8	30.8	1.213	27.6-30.8	1.087-1.213	2400	2000
31.6	31.6	1.244	28.4-31.6	1.118-1.244	2400	2000
33.1	33.1	1.303	29.9-33.1	1.177-1.303	2400	2000





Stepless Ear Clamps

34.6	34.6	1.362	31.4-34.6	1.236-1.362	2400	2000
36.1	36.1	1.421	32.9-36.1	1.295-1.421	2400	2000
37.6	37.6	1.480	34.4-37.6	1.354-1.480	2400	2000
38.1	38.1	1.500	34.9-38.1	1.374-1.500	2400	2000
39.6	39.6	1.559	36.4-39.6	1.433-1.559	2400	2000
41.0	41.0	1.614	37.8-41.0	1.488-1.614	2400	1000
42.5	42.5	1.673	39.3-42.5	1.547-1.673	2400	1000
44.0	44.0	1.732	40.8-44.0	1.606-1.732	2400	1000
45.5	45.5	1.791	42.3-45.5	1.665-1.791	2400	1000
47.0	47.0	1.850	43.8-47.0	1.724-1.850	2400	1000
48.5	48.5	1.909	45.3-48.5	1.783-1.909	2400	1000
50.0	50.0	1.969	46.8-50.0	1.843-1.969	2400	1000
51.5	51.5	2.028	48.3-51.5	1.902-2.028	2400	1000
53.0	53.0	2.087	49.8-53.0	1.961-2.087	2400	1000
54.5	54.5	2.146	51.3-54.5	2.020-2.146	2400	1000
56.0	56.0	2.205	52.8-56.0	2.079-2.205	2400	1000
57.5	57.5	2.264	54.3-57.5	2.138-2.264	2400	1000
59.0	59.0	2.323	55.8-59.0	2.197-2.323	2400	1000
60.5	60.5	2.382	57.3-60.5	2.260-2.382	2400	1000
81.5	81.5	3.209	78.3-81.5	3.083-3.209	7000	500
84.5	84.5	3.327	81.3-84.5	3.201-3.327	7000	500
87.5	87.5	3.445	84.3-87.5	3.319-3.445	7000	500
89.0	89.0	3.504	85.8-89.0	3.378-3.504	7000	500
92.0	92.0	3.622	88.8-92.0	3.496-3.622	7000	500
95.0	95.0	3.740	91.8-95.0	3.614-3.740	7000	500
96.5	96.5	3.799	93.3-96.5	3.673-3.799	7000	500
99.5	99.5	3.917	96.3-99.5	3.791-3.917	7000	500
101.0	101.0	3.976	97.8-101.0	3.850-3.976	7000	500
107.0	107.0	4.213	103.8-107	4.087-4.213	7000	500
114.5	114.5	4.508	111.3-114.5	4.382-4.508	7000	500

